

FabricAir

VarioDuct™

— TWO AIRFLOW SOLUTIONS IN ONE DUCT

smart air
solutions.

ADVANTAGES

- HIGH HEATING AND COOLING CAPACITY
- NO COMPROMISE ON COMFORT LEVEL SWITCHING FROM HEATING TO COOLING
- FULL FLEXIBILITY WHEN IT COMES TO AIR VOLUMES, AIR PRESSURES AND TEMPERATURES
- EASY AND FAST INSTALLATION
- AVAILABLE WITH HORIZONTAL ELBOWS AND CONCENTRIC TRANSITIONS

Product Capabilities

The FabricAir® VarioDuct™ provides different flow models for cooling and/or heating purposes. It is tailored with an internal membrane that separates the two airflows.

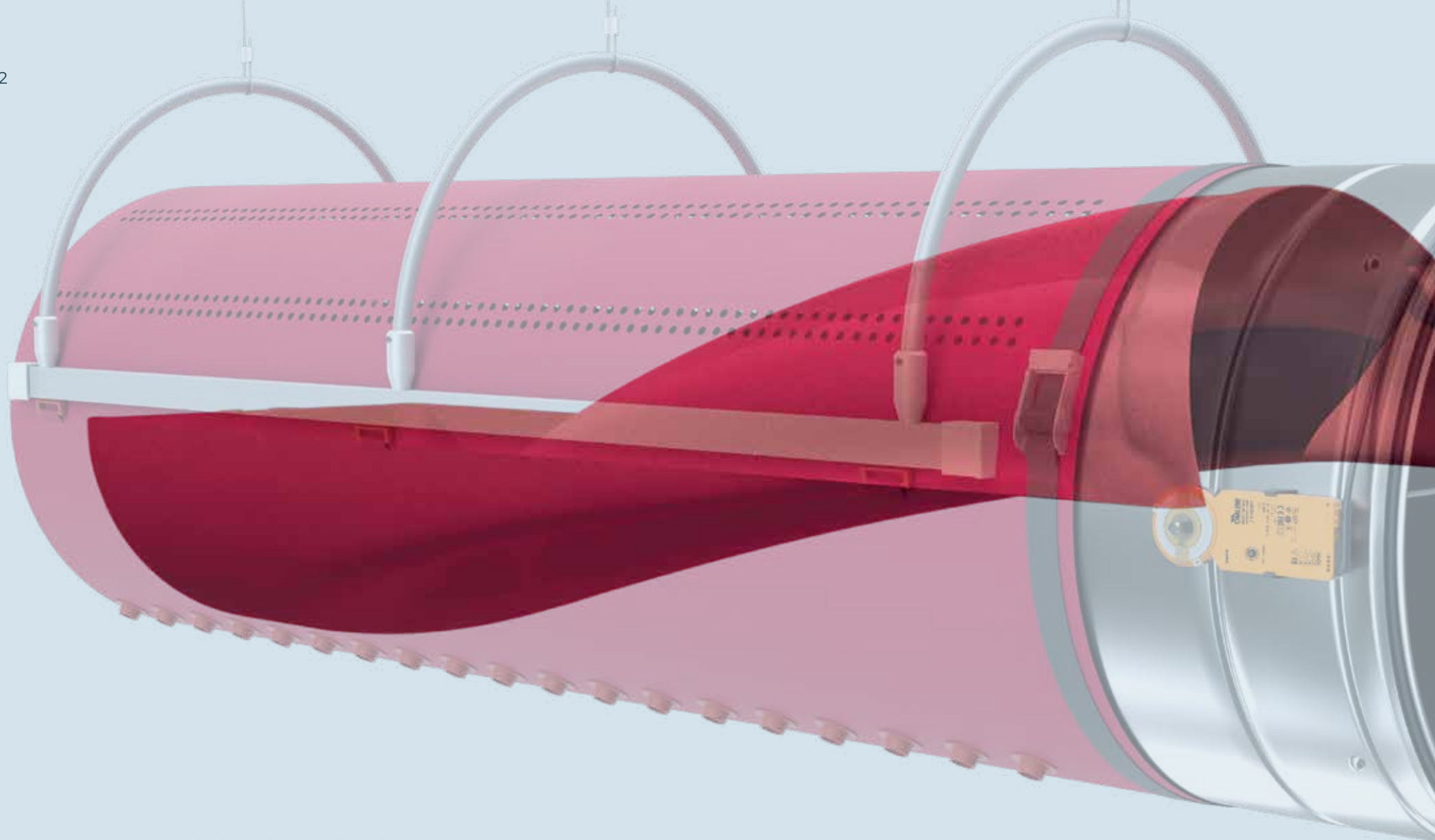
Depending on which flow pattern location is needed, a damper changes position and moves the internal membrane either up or down covering half of the duct.



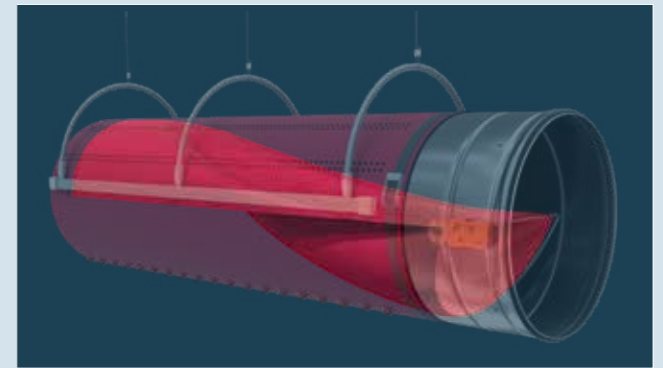
The FabricAir® VarioDuct™ enables both ideal heating and cooling flow models in the same duct

The upper and lower sections can even be designed with their own unique static pressure and air volume to meet the specific requirements and comfort levels of the application.

ΔT may vary from low to high between the two sections. This is customized using differing flow models, thus ensuring a high level of comfort regardless of which section is in use.



Upper section of the FabricAir® VarioDuct™ is typically designed for cooling. Lower section is typically designed for heating.





The color of the FabricAir® VarioDuct™ damper can be matched to the fabric.



Damper Diameters*

Metric Ø, mm	Weight kg
315	3,1
400	4,0
450	5,0
500	5,4
560	5,9
630	6,8
710	7,6
800	10,3

Imperial Ø, inch	Weight lbs
14	8,3
16	10,1
18	11,2
20	12,6
22	13,8
24	14,8
28	17,5
32	19,3

*Duct diameter depends on the diameter of the damper.

Product Features

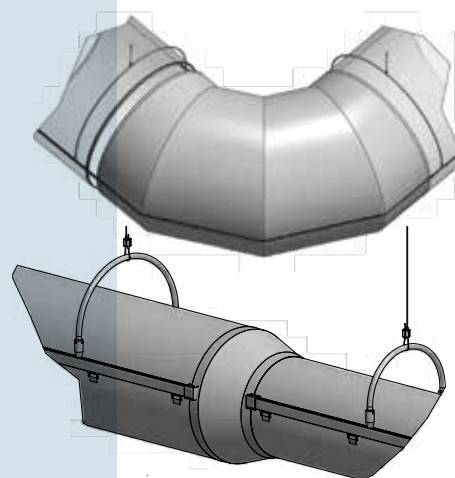
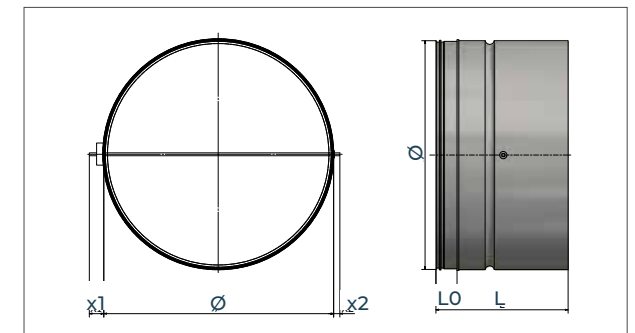
The FabricAir® VarioDuct™ features an internal membrane to separate the two airflows for heating and/or cooling purposes. This membrane is kept in place by the static pressure, thus does not flutter, providing the perfect airflow for each purpose; heating or cooling.

Connection between damper and membrane is one zipper away – fast and easy! The membrane solution is available for any length of round duct incl. horizontal bends and concentric transitions. The color of the damper can be matched to the fabric.

The damper is operated manually or automatically with a motorized actuator, allowing the membrane to switch positions. The damper can be controlled using a simple room sensor or via the building's BMS system.

Damper Dimensions

	x1	x2	L0	L
mm/inch	40/1.57	20/0.79	55/2.17	362/14.25

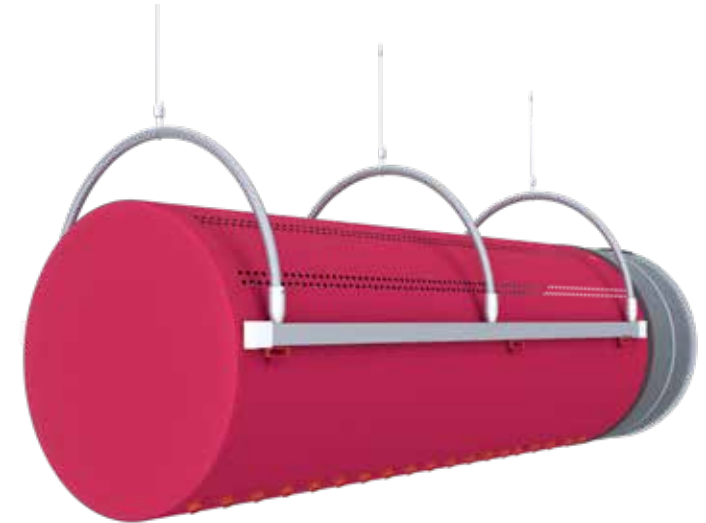


Also available with horizontal elbows and concentric transitions

FabricAir

DATA

DAMPER		Options Available
Connector	Male fitting to connecting ventilation system	
Operation	Manual with a handle or automatic by actuator	
Default color	Without coloring	
Special color	Available; specify in RLA code	
Suspension	Not included	
ACTUATOR, MOTORIZED		
Position on damper	3 or 9 o'clock	
Voltage	24V or 110V or 230V	
Cord length	1m [3 ft 3 in]	
Temperature range	From -30°C [-22°F] to 50°C [122°F]	
Relative humidity range	0-95%, non-condensing	
ACTUATOR, MANUAL		
Temperature range	From -40°C [-40°F] to 140°C [284°F]	
Relative humidity range	0-100%	
FABRIC		
Duct	FabricAir® Trevira	
	FabricAir® Combi	
Membrane and its color	The same as the duct	
SUSPENSION*		
System	Type 2	
	Type 4	
	Type 6	
	Type 7	
	Type 13	
System with All-in-One optional	Type 1	
	Type 3	
	Type 5	
	Type 8	
* As the damper is made from galvanized steel, we recommend galvanized or aluminum suspension solutions.		



smart air
solutions.

[fabricair.com](https://www.fabricair.com)

Our brand is built on trust and quality. We are ISO 9001 certified and our fabrics meet the leading standards and national codes. This is your guarantee that your Smart Air Solution represents the highest standards.



FabricAir® VarioDuct™
4500-000 (2022 JAN)